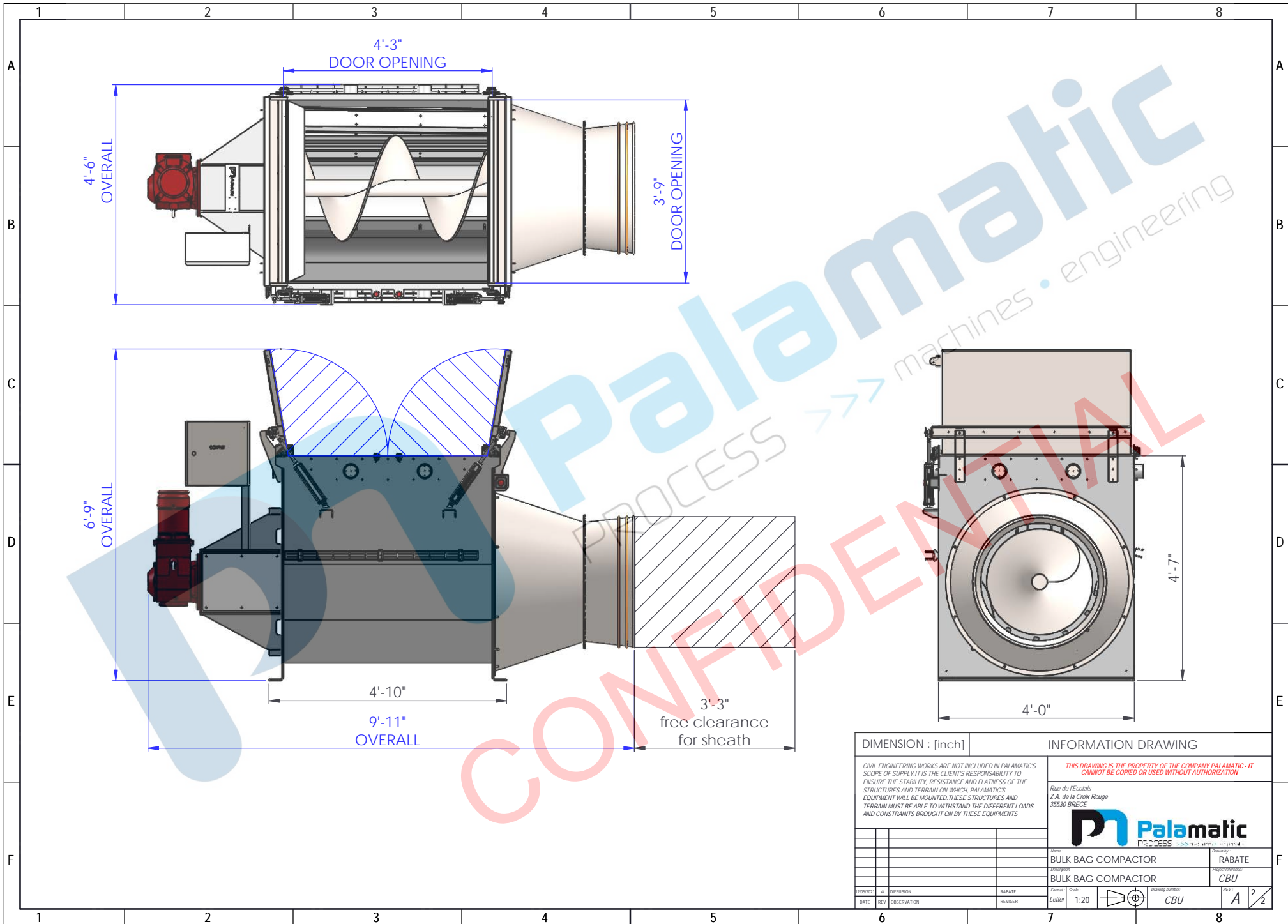



No. ARTICLE	DESCRIPTION
1	Electrical control cabinet
2	Gearbox motor
3	Safety switch
4	Compacting screw
5	Pneumatic cylinder
6	Introduction door
7	Door end stop
8	Dedusting connection
9	Outlet tube
10	Tensiing device

DIMENSION : [inch]		INFORMATION DRAWING	
<p>CIVIL ENGINEERING WORKS ARE NOT INCLUDED IN PALAMATIC'S SCOPE OF SUPPLY IT IS THE CLIENT'S RESPONSIBILITY TO ENSURE THE STABILITY, RESISTANCE AND FLATNESS OF THE STRUCTURES AND TERRAIN ON WHICH PALAMATIC'S EQUIPMENT WILL BE MOUNTED THESE STRUCTURES AND TERRAIN MUST BE ABLE TO WITHSTAND THE DIFFERENT LOADS AND CONSTRAINTS BROUGHT ON BY THESE EQUIPMENTS</p>		<p>THIS DRAWING IS THE PROPERTY OF THE COMPANY PALAMATIC - IT CANNOT BE COPIED OR USED WITHOUT AUTHORIZATION</p>	
		<p>Rue de l'Écolais Z.A. de la Croix Rouge 35530 BRÉCÉ</p>	
		<p>Name: BULK BAG COMPACTOR RABATE</p>	
		<p>Occupation: BULK BAG COMPACTOR CBU</p>	
20/02/21	A	DIFFUSION	RABATE
DATE	REV	OBSERVATION	REVISER
		<p>Formal Scale: 1:15</p>	
		<p>Quantity number: CBU</p>	
		<p>REV: A 1/2</p>	



DIMENSION : [inch]		INFORMATION DRAWING	
<p>CIVIL ENGINEERING WORKS ARE NOT INCLUDED IN PALAMATIC'S SCOPE OF SUPPLY IT IS THE CLIENT'S RESPONSIBILITY TO ENSURE THE STABILITY, RESISTANCE AND FLATNESS OF THE STRUCTURES AND TERRAIN ON WHICH PALAMATIC'S EQUIPMENT WILL BE MOUNTED THESE STRUCTURES AND TERRAIN MUST BE ABLE TO WITHSTAND THE DIFFERENT LOADS AND CONSTRAINTS BROUGHT ON BY THESE EQUIPMENTS</p>		<p>THIS DRAWING IS THE PROPERTY OF THE COMPANY PALAMATIC - IT CANNOT BE COPIED OR USED WITHOUT AUTHORIZATION</p> <p>Rue de l'Écolais Z.A. de la Croix Rouge 35530 BRÉCÉ</p> 	
		Name:	BULK BAG COMPACTOR
		Description:	BULK BAG COMPACTOR
		Project reference:	RABATE CBU
2020021	A	DIFFUSION	RABATE
DATE	REV	OBSERVATION	REVISER
		Forma	Scale
		Letter	1:20
		Quantity number	CBU
		REV	A 2/2